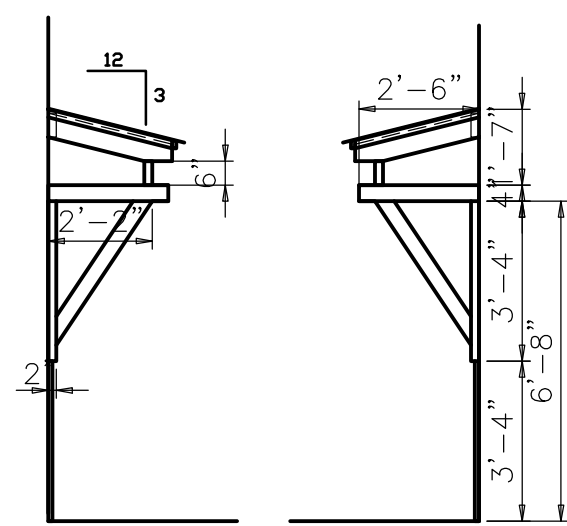
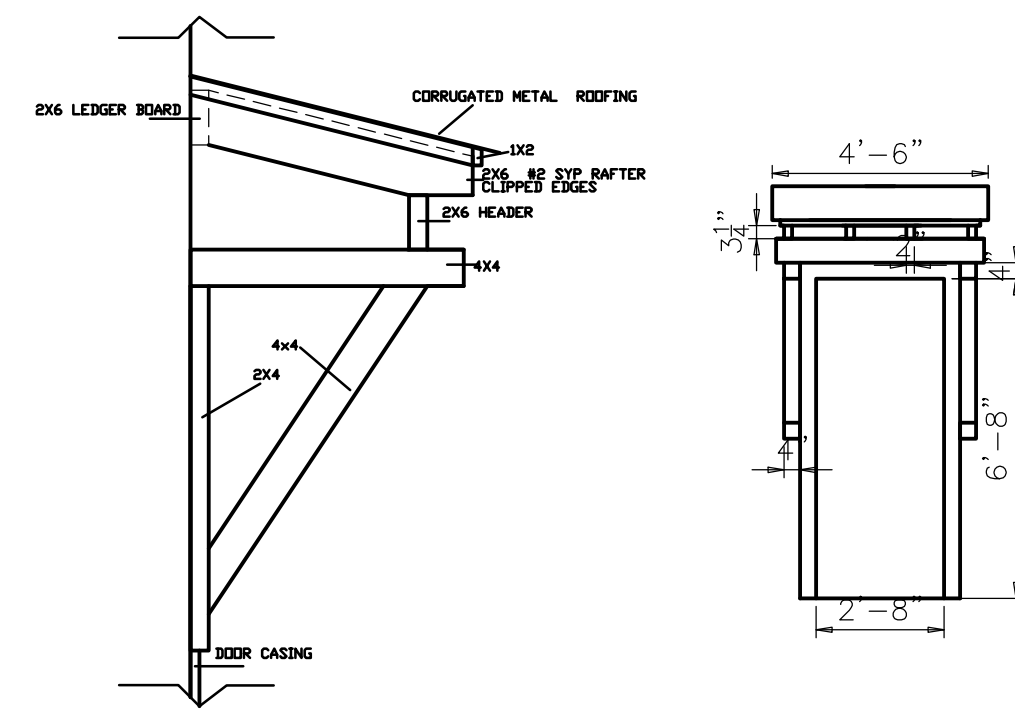
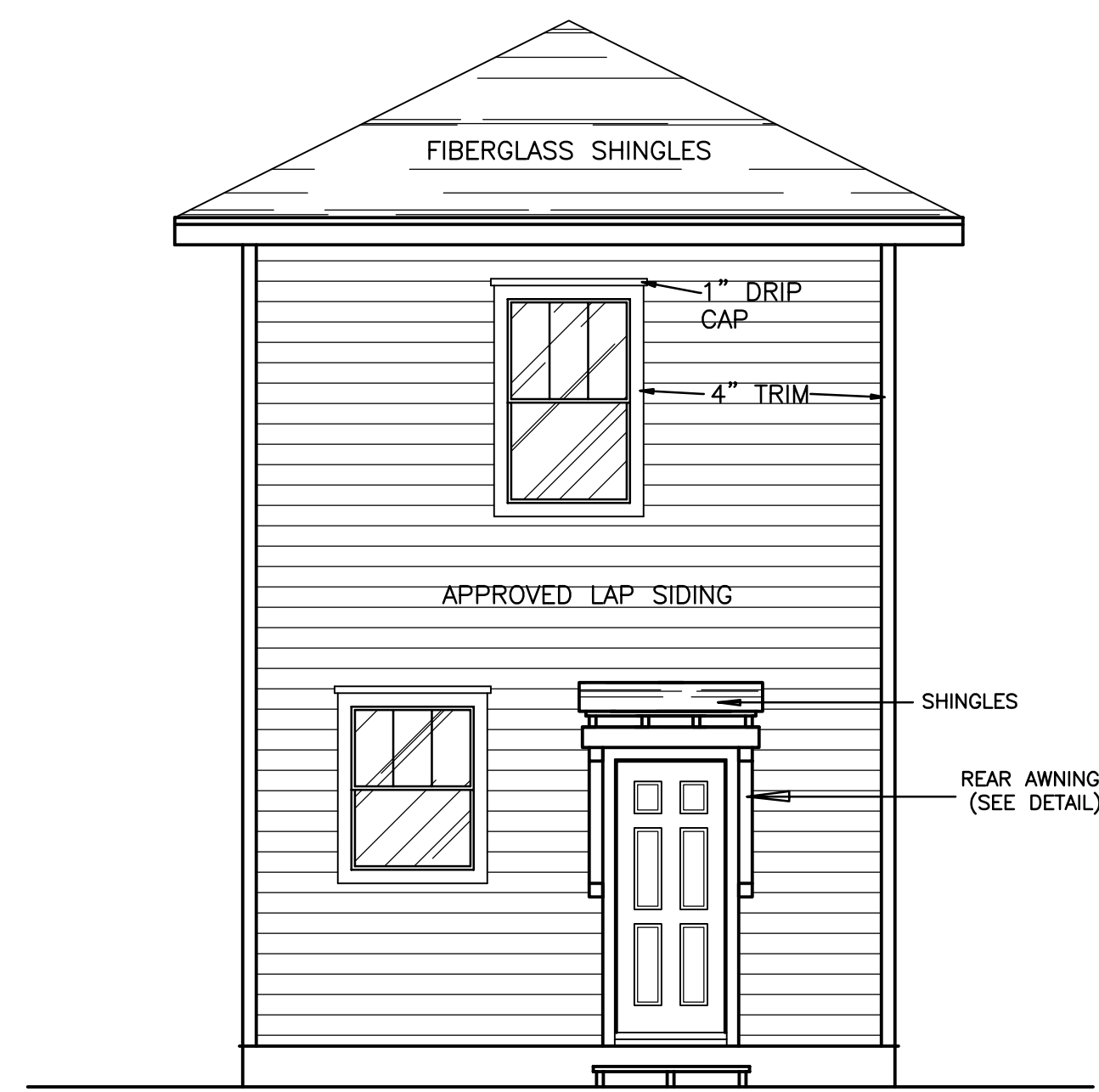


FRONT ELEVATION

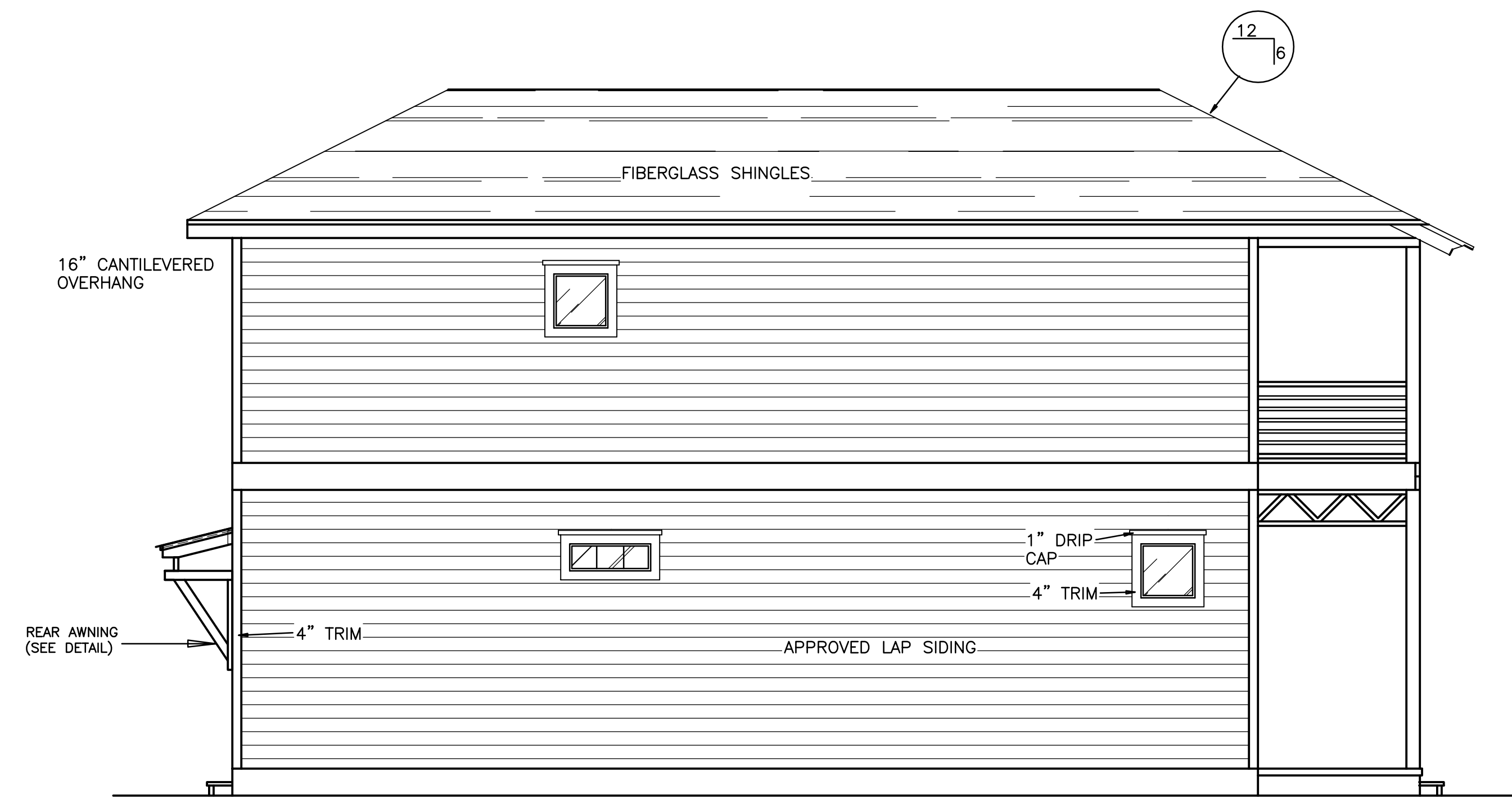
RIGHT ELEVATION



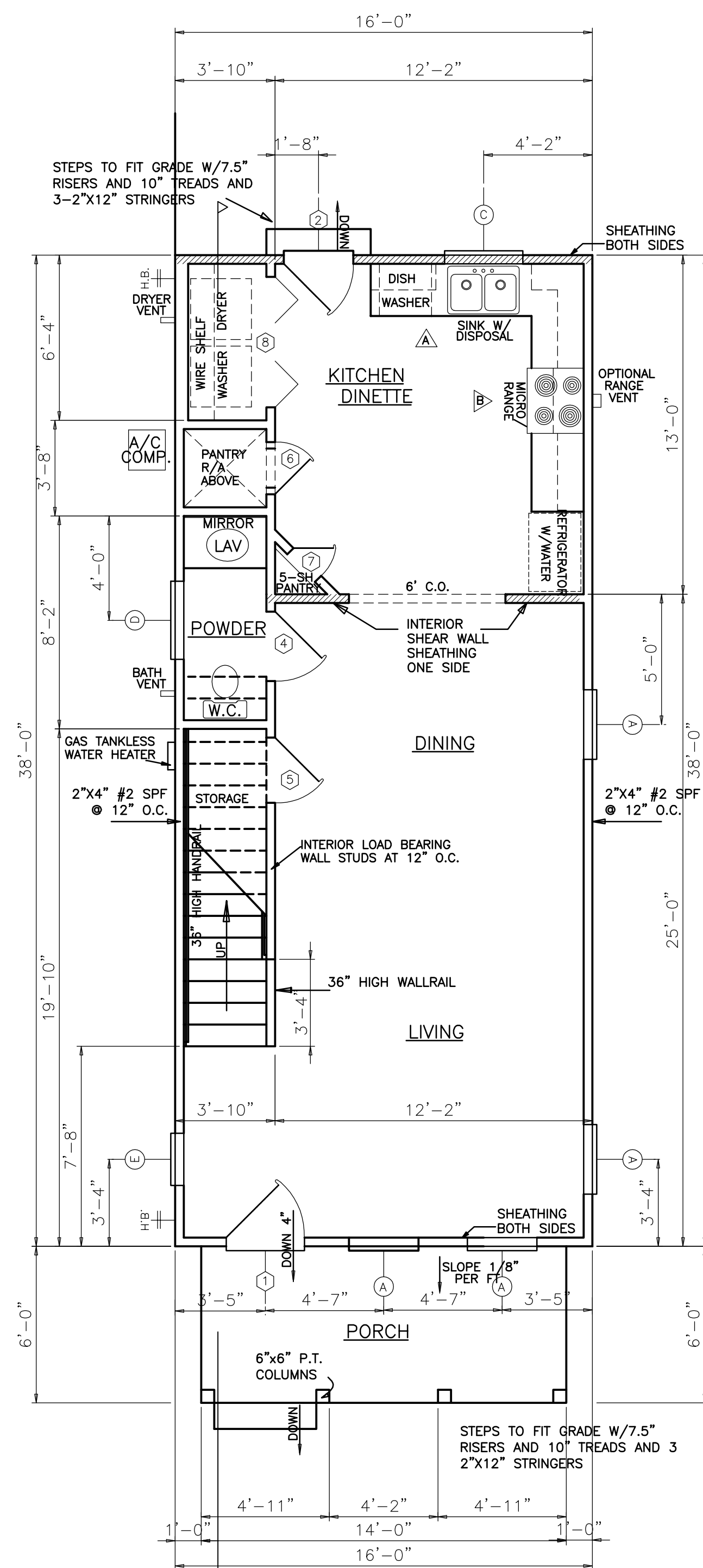
AWNING DETAIL
N.T.S.



REAR ELEVATION

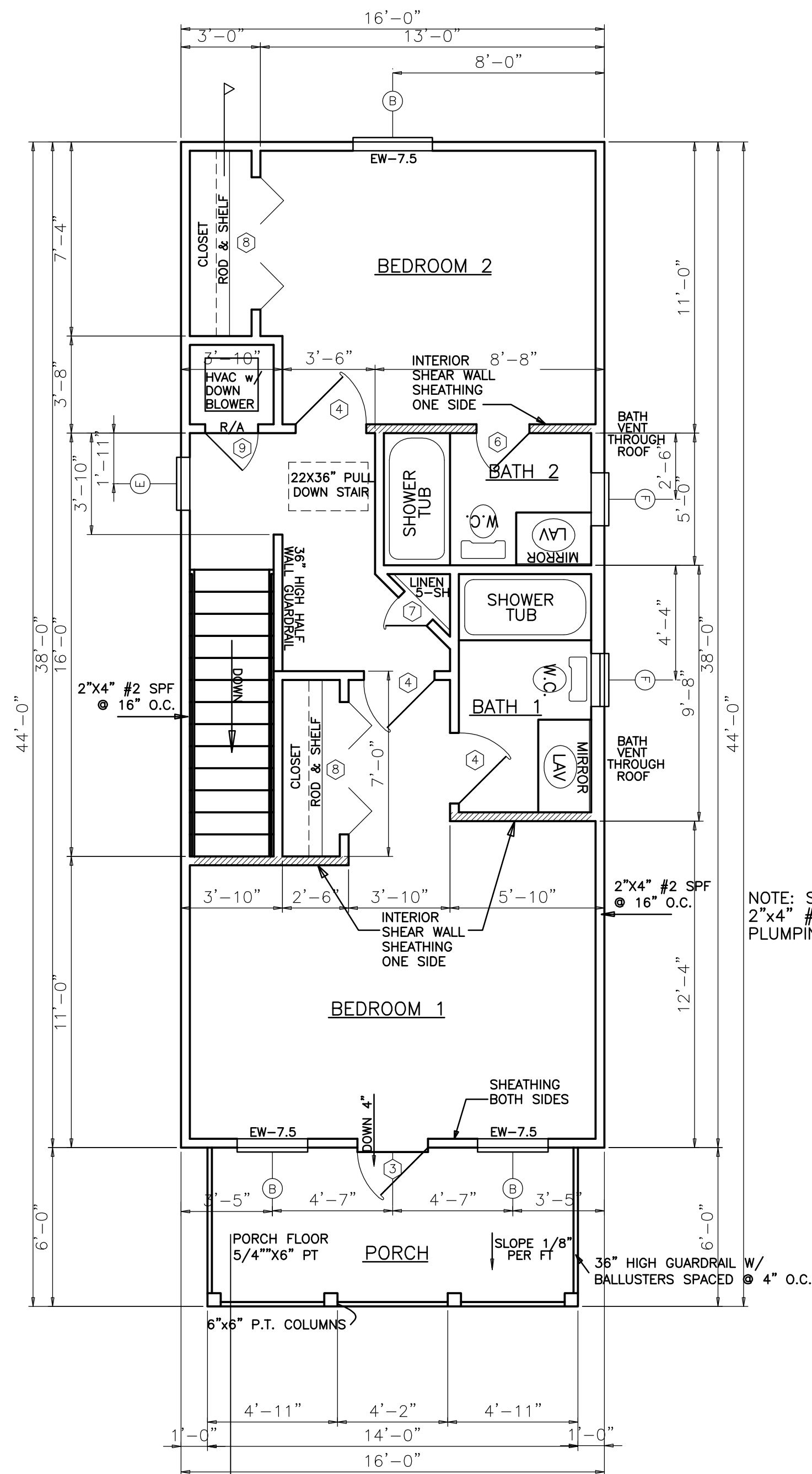


LEFT ELEVATION



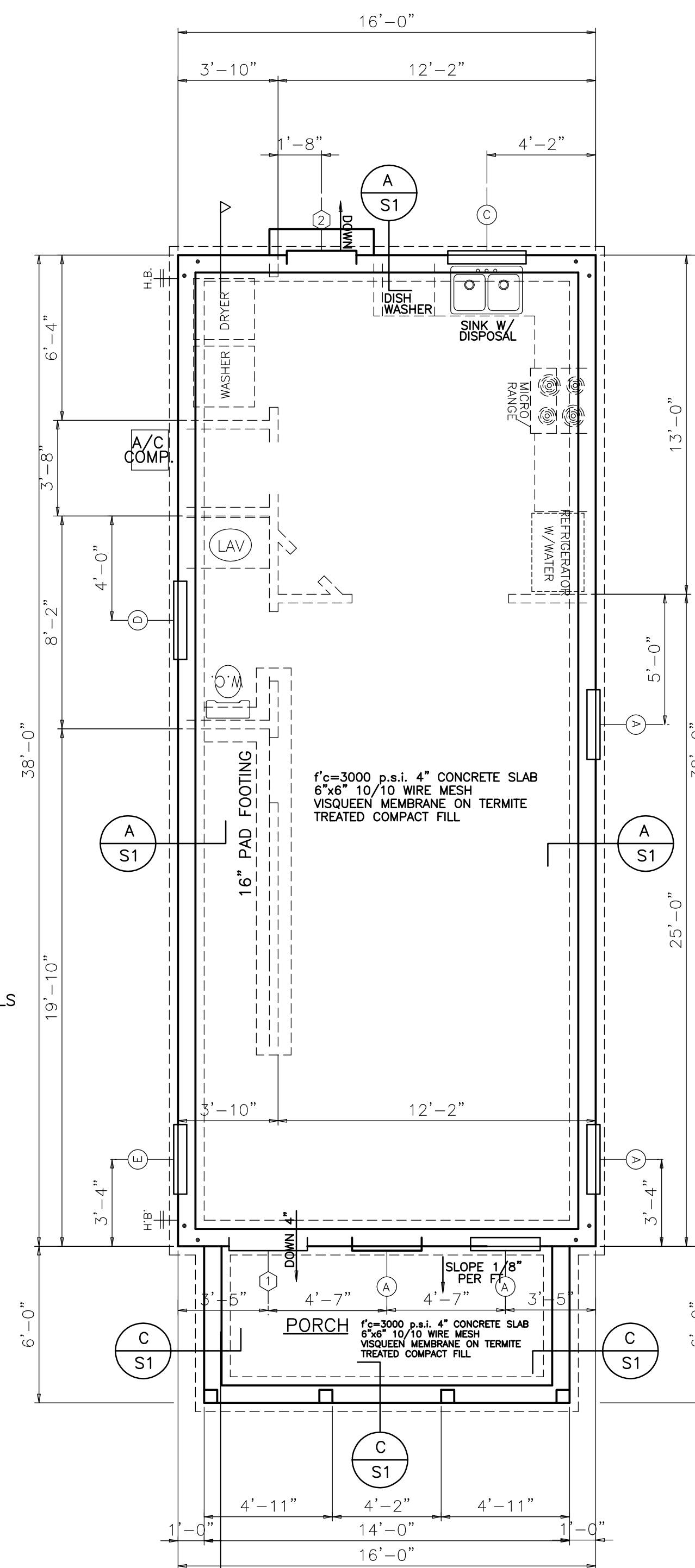
1ST FLOOR

NOTE: FIRST FLOOR EXTERIOR WALLS
2"x4" #2 SPF AT 12" O.C.



2ND FLOOR

NOTE: SECOND FLOOR EXTERIOR WALLS
2"x4" #2 SPF AT 16" O.C.;
PLUMPING WALLS 2"x6" #2 SPF



FOUNDATION

• - LOCATION OF ZONE 5 ALL THREAD FOR WINDSTORM OSB OPTION

FINISH ROOM SCHEDULE				DOOR SCHEDULE				WINDOW SCHEDULE				
ROOM	FLOOR	WALLS	CEILING	MOLDING	NO.	SIZE	DESCRIPTION	REMARKS	LIT.	SIZE	DESCRIPTION	REMARKS
LIVING	TILE	ORANG PEEL	ORANG PEEL	5-1/4" BASE W/ 3-1/4" CROWN	1	3'-0"x6'-8"x1'-3/4" w/ 3'-0"x1'-0" TRANSOM	DECORATIVE	INSULATED	A	3060	VINYL SINGLE HUNG	INSULATED
DINING	TILE	PAINT	TEXT		2	2'-8"x6'-8"x1'-3/4"	6-PANEL	INSULATED	B	3050	VINYL SINGLE HUNG	INSULATED
KITCHEN	TILE				3	2'-8"x6'-8"x1'-3/4"	15-LITE	INSULATED	C	3040	VINYL SINGLE HUNG	INSULATED
BATH 1	TILE			3-1/4" BASE W/ STANDARD DOOR CASING	4	2'-8"x6'-8"x1'-3/8"	6-PANEL	MASONITE PAINT HOLLOW CORE	D	3010	VINYL TRANSOM	INSULATED
BATH 2	TILE				5	2'-6"x6'-8"x1'-3/8"	6-PANEL	MASONITE PAINT HOLLOW CORE	E	2020	PLATE GLASS	INSULATED
BEDROOM 1	CARPET				6	2'-0"x6'-8"x1'-3/8"	6-PANEL	MASONITE PAINT HOLLOW CORE	F	2030	VINYL SINGLE HUNG	INSULATED
BEDROOM 2	CARPET				7	1'-6"x6'-8"x1'-3/8"	6-PANEL	MASONITE PAINT HOLLOW CORE				
				WOOD WINDOW STOOL W/ DRYWALL RETURN	8	2'-2'-6"x6'-8"x1'-3/8"	6-PANEL BIFOLD	MASONITE PAINT HOLLOW CORE				
					9	2'-0"x5'-0"x1'-3/8"	6-PANEL HVAC	MASONITE PAINT HOLLOW CORE				
NOTE: ALL WINDOWS MUST HAVE IMPACT GLASS												
SOURCE FOOTAGE INDEX												
1ST FLOOR LIVING 608			2ND FLOOR LIVING 608			TOTAL LIVING 1216						
1ST FLOOR PORCH 84			2ND FLOOR PORCH 84			TOTAL PORCH 168						